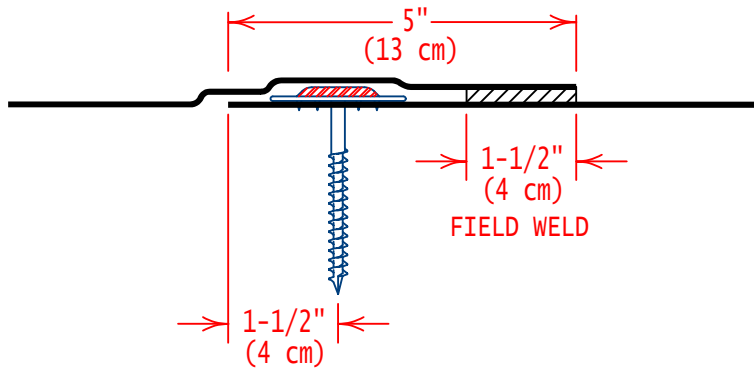
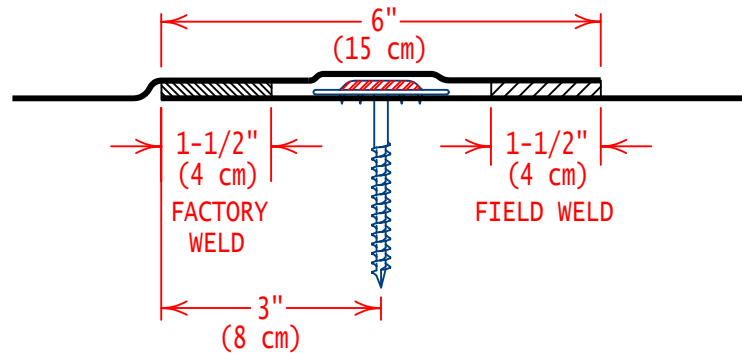


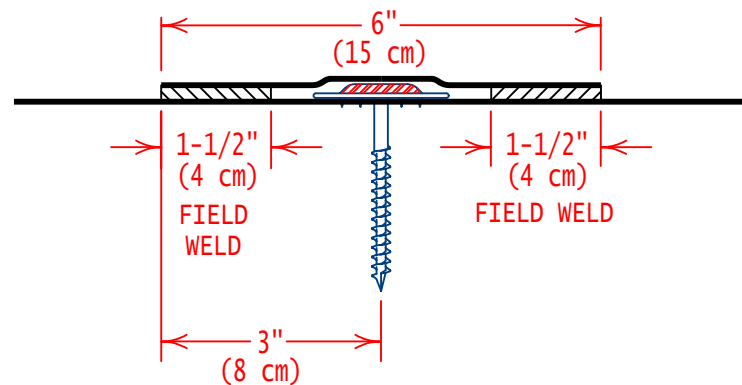
LAP STYLE "A" OPEN



LAP STYLE "B" OPEN



LAP STYLE "C" CLOSED



LAP STYLE "D" CLOSED



GENERAL REFERENCE:  
**"FTR GS06"**  
 APPLICABLE SYSTEMS:  
**"FTR MA06"**

**FTR MAGNUM PLATES & FASTENERS  
 LAP STYLE AND POSITION**

REVISES DETAIL	ISSUE DATE	DRAWING NUMBER
<b>ALL PREVIOUS</b>	<b>03-01-07</b>	<b>FTR-DLAP</b>